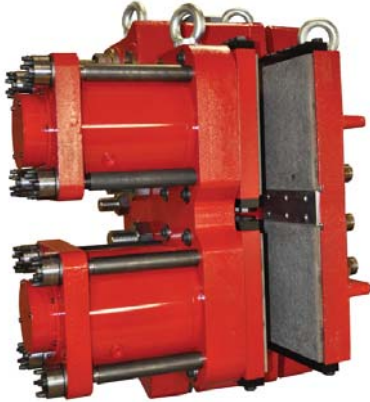




Hilliard® Brake Model M900SH

Technical Data Sheet



M900SH Brake Caliper

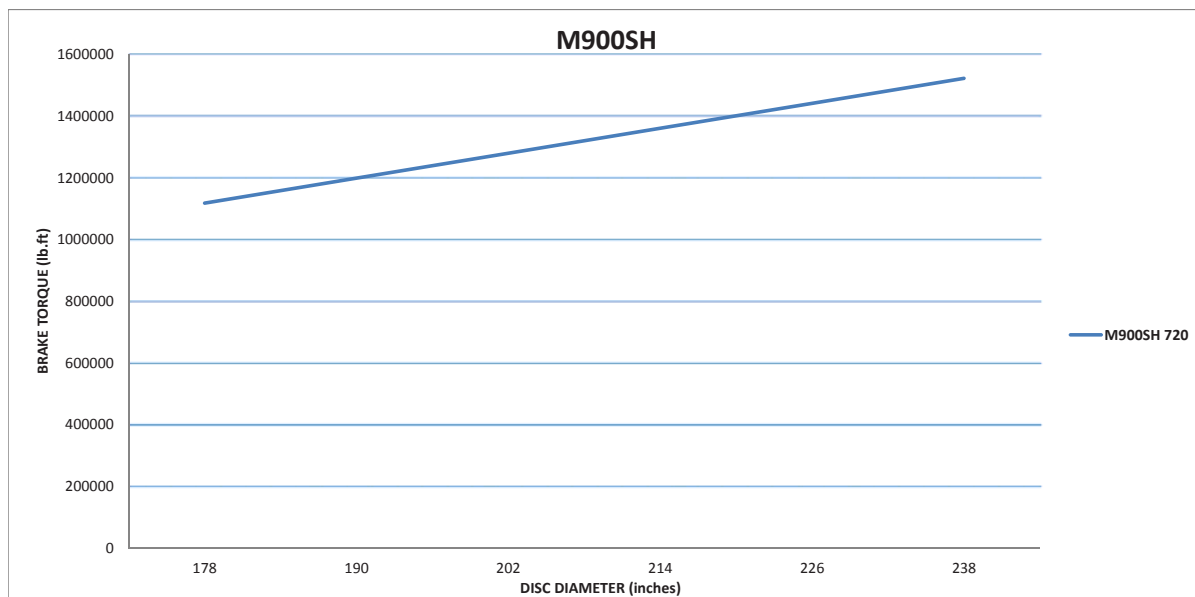
The Hilliard M900SH brake caliper is a floating spring applied, hydraulically released brake for use in heavy duty industrial applications. The brake caliper is suitable for outdoor applications and has been designed for use in many different extreme environments. The M900SH is capable of producing 170,000 LBF (750 kN) of braking force.

The floating design can accommodate up to 1 inch of axial movement due to thermal expansion of large equipment such as grinding mills and kilns. The caliper features "Maintenance Mode" which removes all stored spring energy within the cylinder assembly. This allows for brake pad replacement, monitor unit adjustment and seal replacement without the need to remove the brake from service.

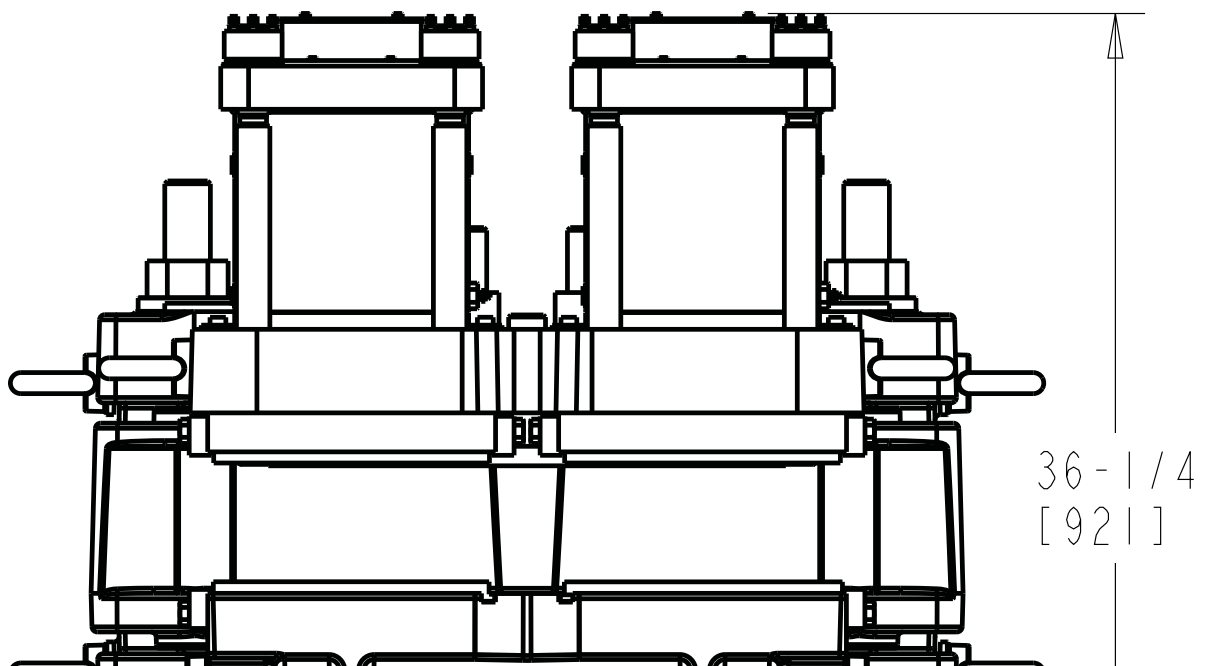
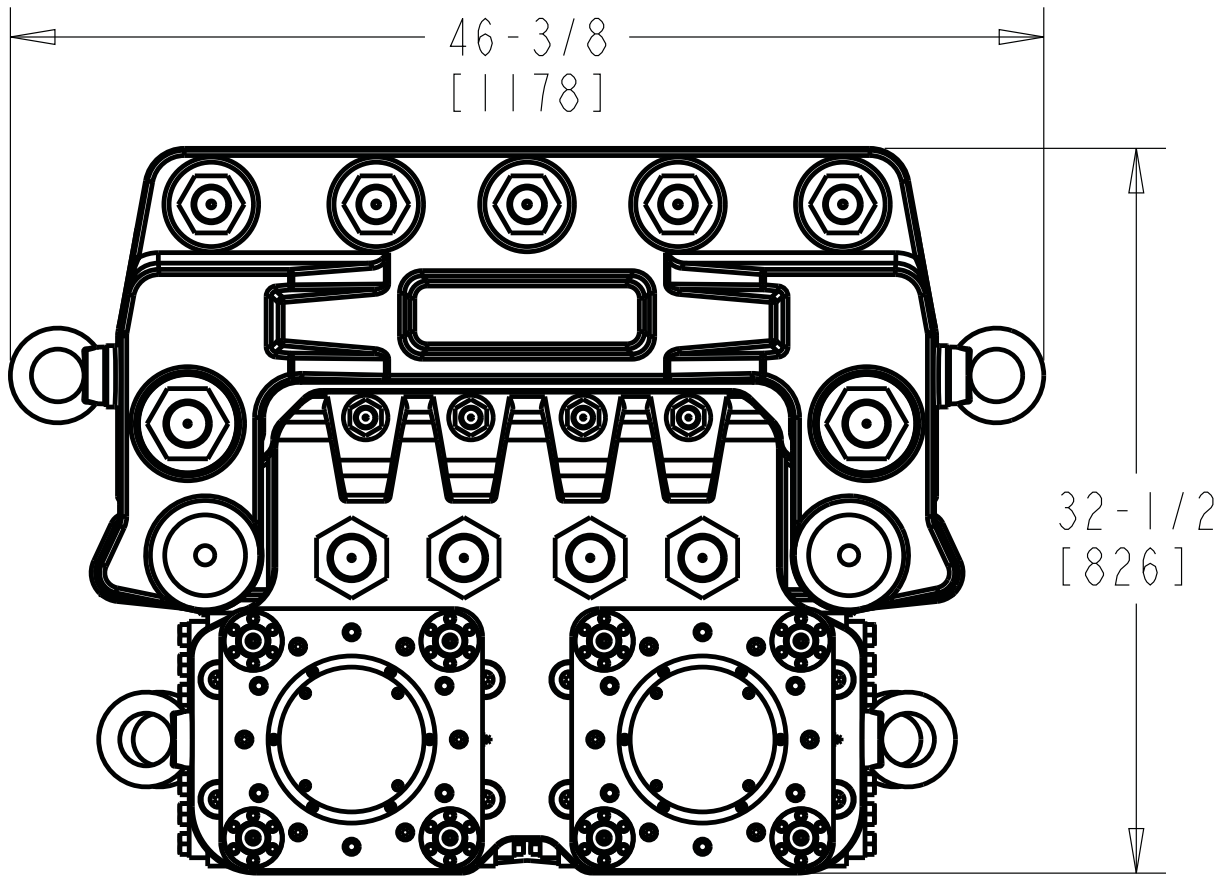
Model	Braking Force (F _b)	Full Retraction Pressure	Maximum Pressure
M900SH720	161,862 lbf (720 kN)	3,300 psi (227 bar)	3,500 psi (241 bar)

Minimum Disc Size: 40in (1016mm) • Minimum Disc Thickness 1in (25mm)

$$\text{Braking Torque (lb-ft)} = \frac{\text{Braking Force (lb)} \times (\text{Disc Radius (in)} - 6.1")}{12}$$

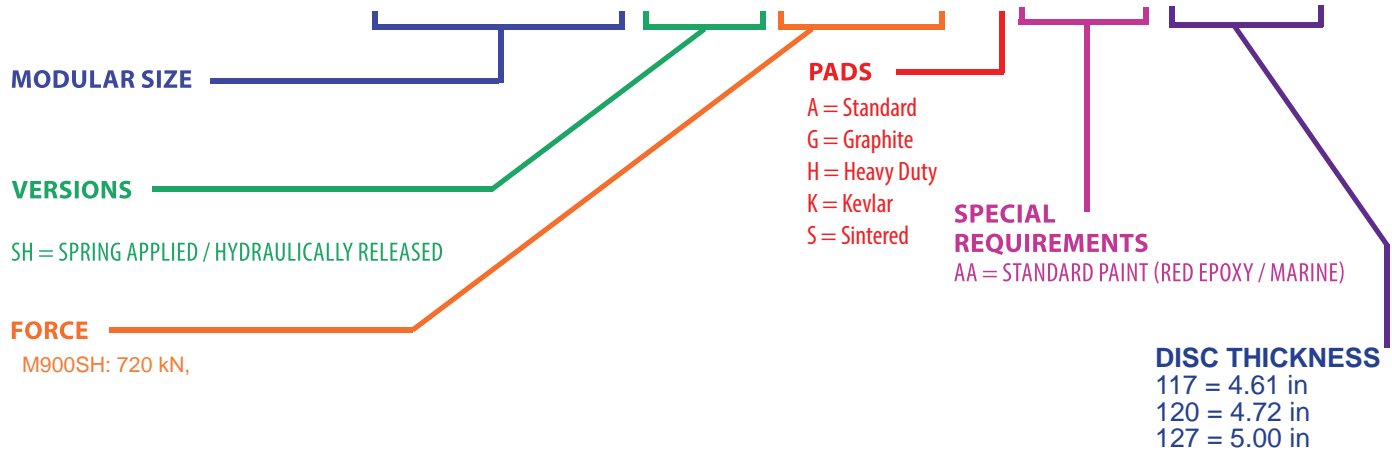


Mounting Dimensions



Modular Model Number

M900SH119AAA127



Brake Weight: 1415 lb (641.5 kg) per spring module assembly
2830 lb (1283 kg) total

Friction Pad Area: 131 in² [332.75 cm²] (Each Pad)

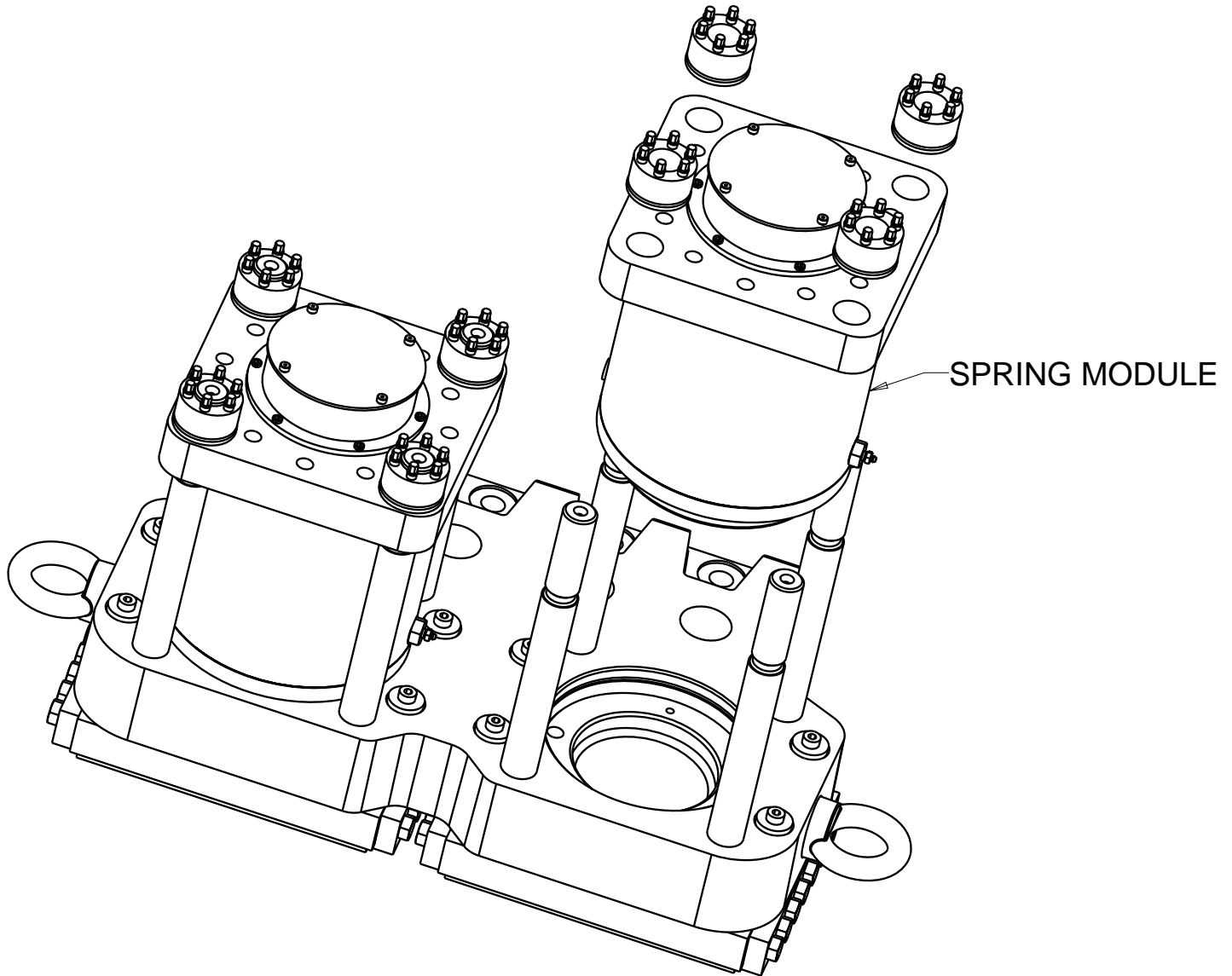
Recommended Oil

Mineral Oil or Automatic Transmission Fluid (ATF) is recommended for use with the M500 SH brake caliper. Do not use automotive brake fluid as this will cause seal failure.

Optional Accessories (Consult The Hilliard Corporation for part numbers)

- **Mounting Bracket**
Hilliard supplies a standard line of mounting brackets as well as custom made brackets. Consult The Hilliard Corporation for any special accommodations required.
- **Tie Bolt Kit**
Hilliard can supply a tie bolt kit for the brake caliper. The tie bolt kit will have the correct strength characteristics as well as the correct length depending on disc thickness.

M900SH Exploded View



SEALS, O-RINGS AND WEAR RINGS AVAILABLE AS A KIT.

The Hilliard Corporation
100 West 4th St.
Elmira, NY 14902-1504 USA www.hilliardcorp.com
PH: 607-733-7121 FAX: 607-737-1108
www.hilliardbrakesystems.com
hilliard@hilliardcorp.com



Hilliard

YOUR LOCAL REPRESENTATIVE:



9/16 TDS-M900SH