



Hilliard® Brake Model:

A400-T400 AS

Technical Data Sheet



Pneumatic Applied, Spring Released Caliper Brakes

A400-T400 AS Brake Caliper

The A400 is an arm style caliper brake designed to accept a large selection of Hilliard thrusters. These thrusters include spring applied hydraulic released, spring applied pneumatic released, hydraulic applied spring released, and pneumatic applied spring released. The 400 requires a minimum disc diameter of 24" and is offered in 2 sizes to accommodate a 1" and 1-1/2" thick disc. The design of the caliper allows the user to quickly convert between right and left handed designs eliminating the need for multiple part numbers.

The AS thruster is a direct applied thruster that is pneumatically applied spring released. The Pneumatic applied thrusters are offered in multiple sizes to meet the needs of our customers.

The T400 AS thruster produces a maximum braking force of 8400 pounds at the maximum operating pressure of 67 psi. (This thruster is only to be used on the A400 caliper)

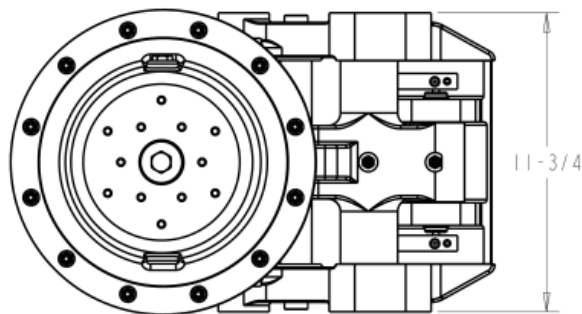
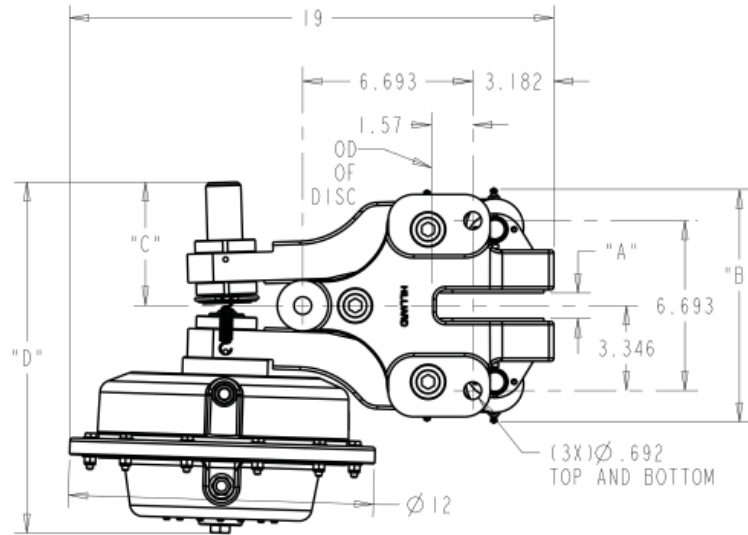
A400 Caliper T400AS Thruster Specifications:

Total Brake Weight: 136 lbs. (61.7kg)

Caliper Weight: 108 lbs. (49 kg) Thruster Weight: 28 lbs. (12.7 kg)

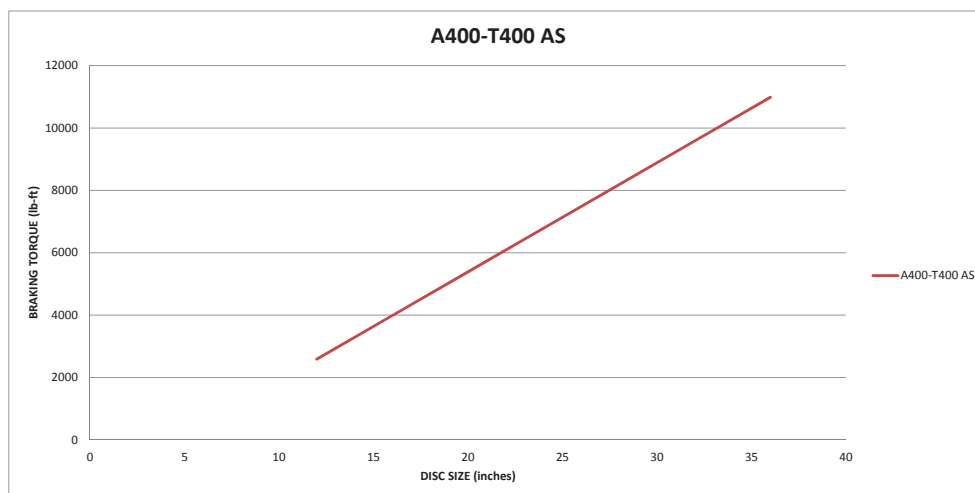
Friction Pad Area: 60.2 SQ. IN. [388.45Q Cm]

Brake Path: 4.625 in (117 mm)

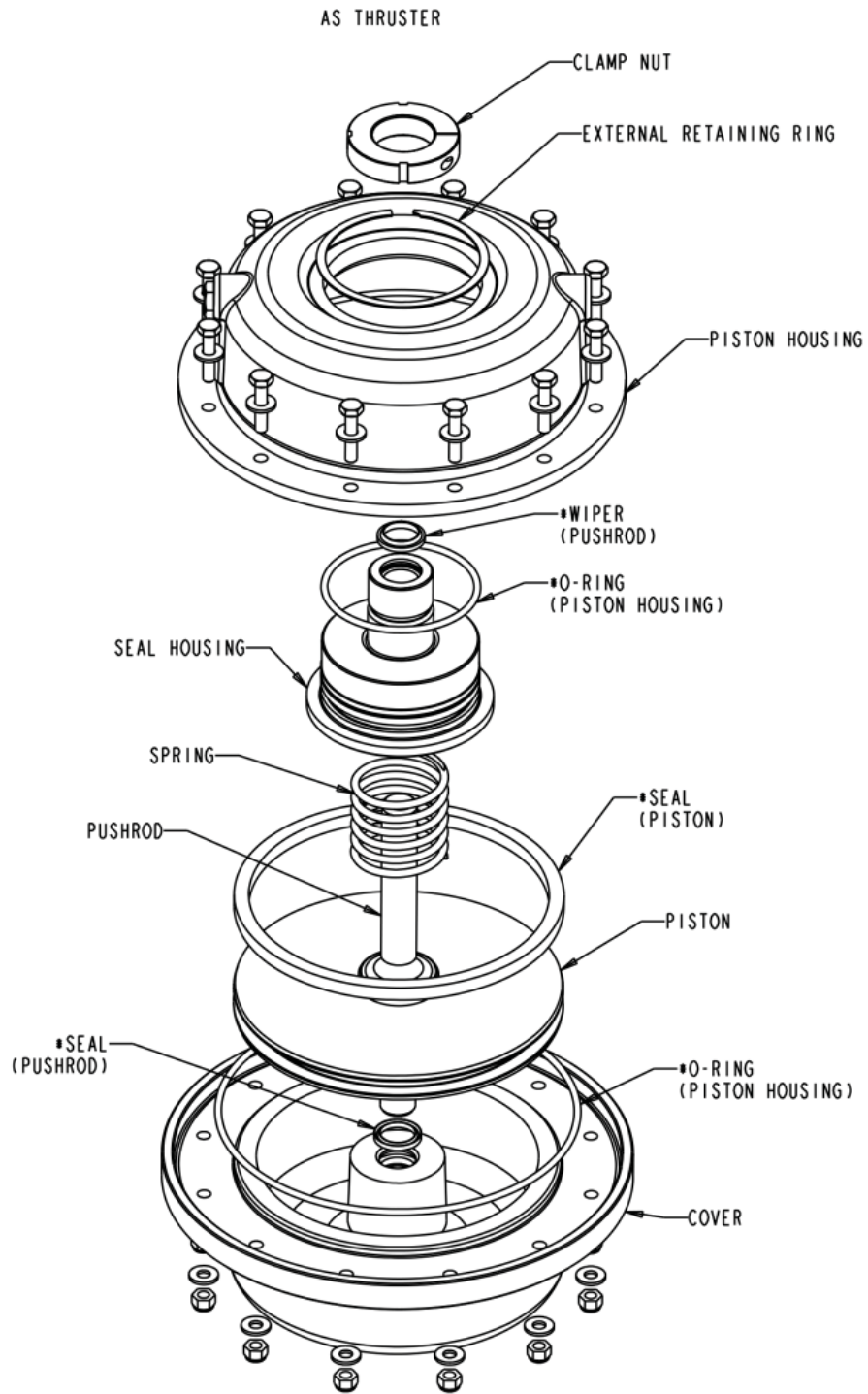


A400-T400

A400 CALIPER WITH T400 AS THRUSTER				
Caliper Model	"A" Disc Thickness	"B"	"C"	"D"
A400-25	1"	9- 5/32"	5"	13- 15/16"
A400-40	1- 1/2"	9- 13/16"	5"	14"



SH Thruster: Pneumatically Applied / Spring Released



▪ RECOMMENDED SPARE PART (SEALS & O-RINGS AVAILABLE AS A KIT)

The Hilliard Corporation

100 West Fourth Street

Elmira, New York

14902-1504 USA

PH: 607.733.7121 | FAX: 607.737.1108

hilliardcorp.com | hilliard@hilliardcorp.com



YOUR LOCAL REPRESENTATIVE:



08/16 TDS-A400-T400 AS
