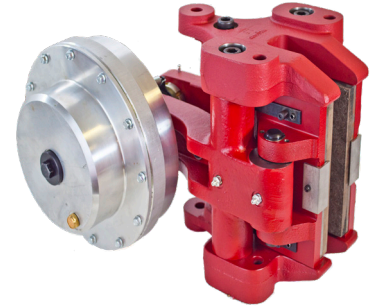


Spring Applied, Hydraulically Released Caliper Brakes



A400-T300 SH / A400-T400 SH Brake Calipers

The A400 is an arm style caliper brake designed to accept a large selection of Hilliard thrusters. These thrusters include spring applied hydraulic released, spring applied pneumatic released, hydraulic applied spring released, and pneumatic applied spring released. The 400 requires a minimum disc diameter of 24" and is offered in 2 sizes to accommodate a 1" and 1-1/2" thick disc. The design of the caliper allows the user to quickly convert between right and left handed designs eliminating the need for multiple part numbers.

The SH thruster is a failsafe thruster that is spring applied hydraulically released. The spring applied thrusters are offered in multiple sizes to meet the needs of our customers.

The T300 SH thruster produces a maximum braking force of 5580 pounds at the maximum operating pressure of 1720 psi with a maximum pressure of 2150 psi when used with the A400 caliper.

The T400 SH thruster produces a maximum braking force of 8366 pounds at the maximum operating pressure of 1875 psi with a maximum pressure of 2250 psi. (This thruster is only to be used on the A400 caliper)

A400 Caliper T300SH Thruster Specifications:

Total Brake Weight: 132 lbs. (59.8 kg)
Caliper Weight: 108 lbs. (49 kg)
Thruster Weight: 24 lbs. (10.8 kg)
Oil Volume: .53 in.³ at Recommended
Gap Setting

Friction Pad Area: 60.2 SQ. IN.
[388.4 SQ Cm]

Brake Path: 4.625 in (117 mm)

A400 Caliper T400SH Thruster Specifications:

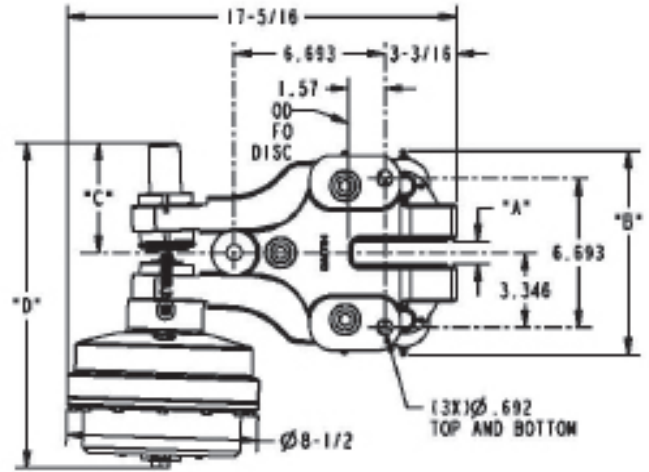
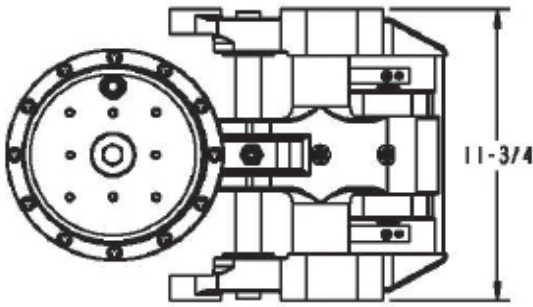
Total Brake Weight: 140 lbs. (63.51kg)
Caliper Weight: 108 lbs. (49 kg)
Thruster Weight: 32 lbs. (14.51kg)
Oil Volume: .81 in.³ at Recommended Gap
Setting

Friction Pad Area: 60.2 SQ. IN.
[388.4 SQ Cm]

Brake Path: 4.625 in (117 mm)

A400 CALIPER WITH T300 SH THRUSTER

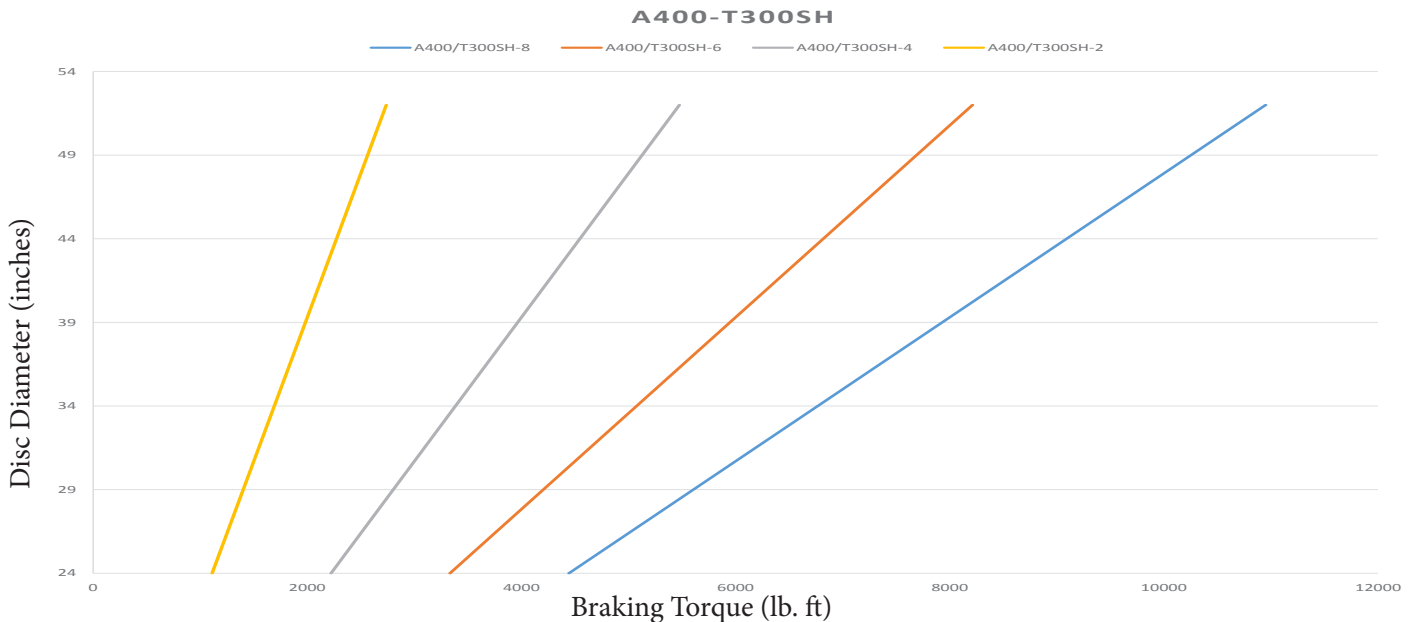
Caliper Model	"A" Disc Thickness	"B"	"C"	"D"
A400-25	1"	9- 5/32"	5"	14- 9/16"
A400-40	1- 1/2"	9- 13/16"	5"	14- 5/8"



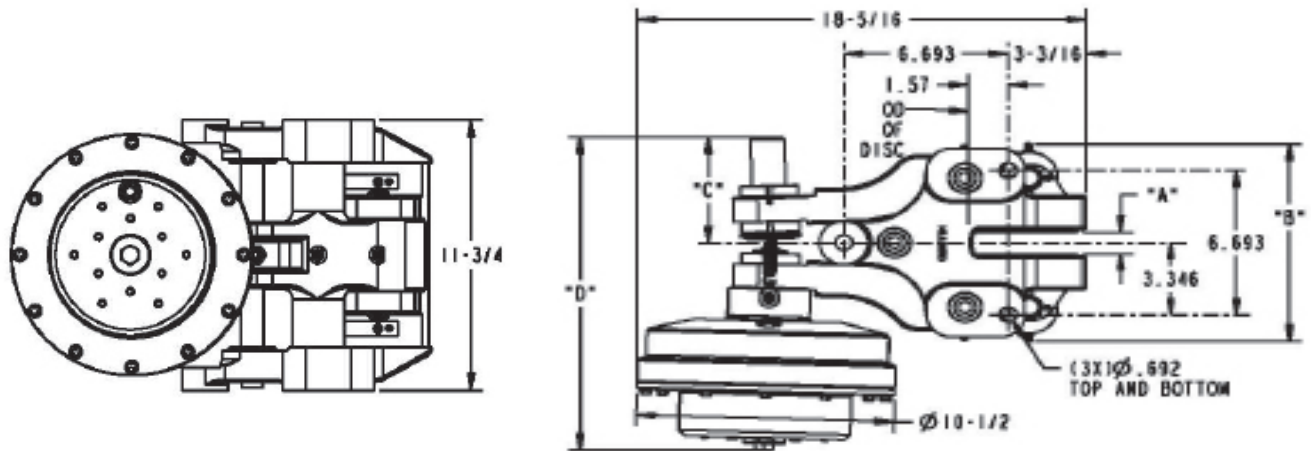
Maximum Pressure: 2150 psi

SPRING APPLIED / HYDRAULIC RELEASE T300SH THRUSTER A400 CALIPER

THRUSTER Model	Retract Pressure	Operating Pressure	Braking Torque
T300SH-8-AA	1720 psi/ 119 Bar	2150 psi/ 148 Bar	465*(Disc Radius(in)-2.44)
T300SH-6-AA	1290 psi/ 90 Bar	1600 psi/ 110 Bar	349*(Disc Radius(in)-2.44)
T300SH-4-AA	860 psi/ 60 Bar	1075 psi/ 74 Bar	232*(Disc Radius(in)-2.44)
T300SH-2-AA	430 psi/ 30 Bar	540 psi/ 37 Bar	116*(Disc Radius(in)-2.44)

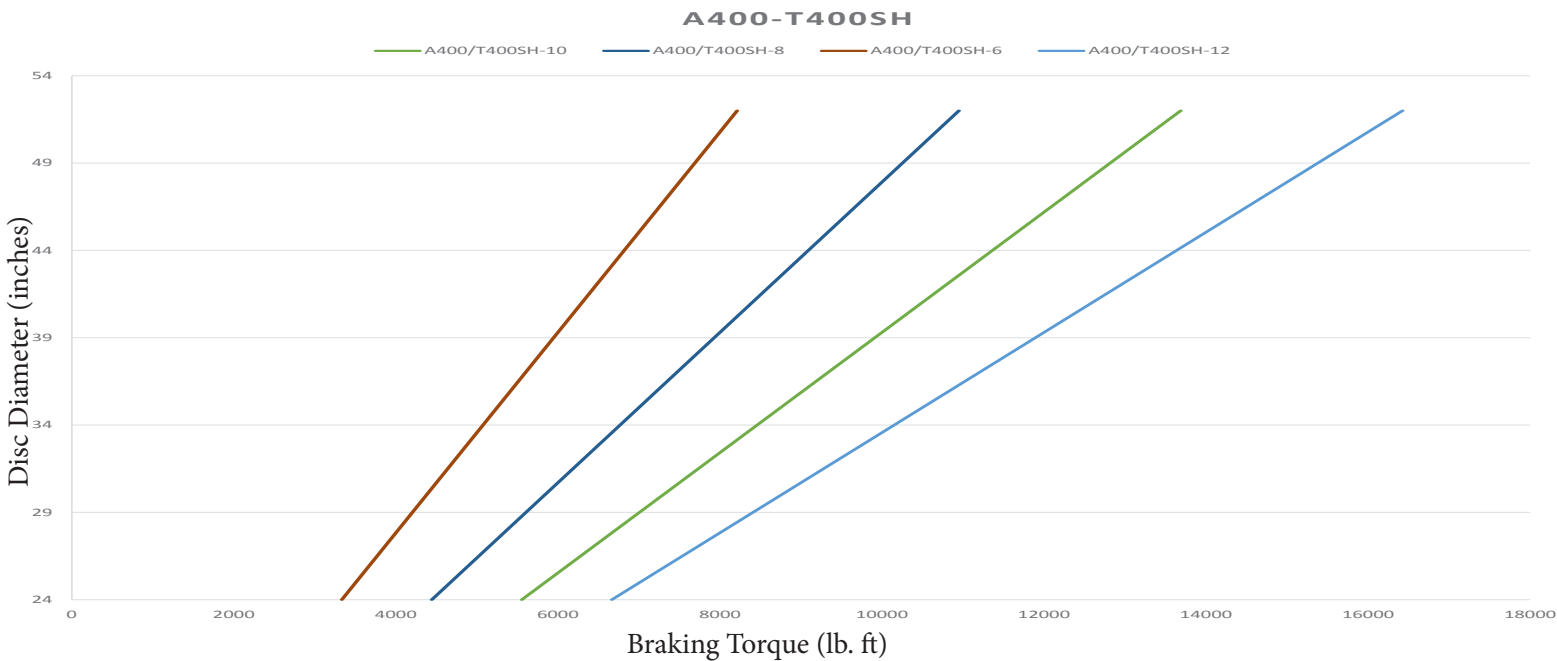


A400 CALIPER WITH T400 SH THRUSTER				
Caliper Model	"A" Disc Thickness	"B"	"C"	"D"
A400-25	1"	9- 5/32"	5"	14- 9/16"
A400-40	1- 1/2"	9- 13/16"	5"	14- 5/8"

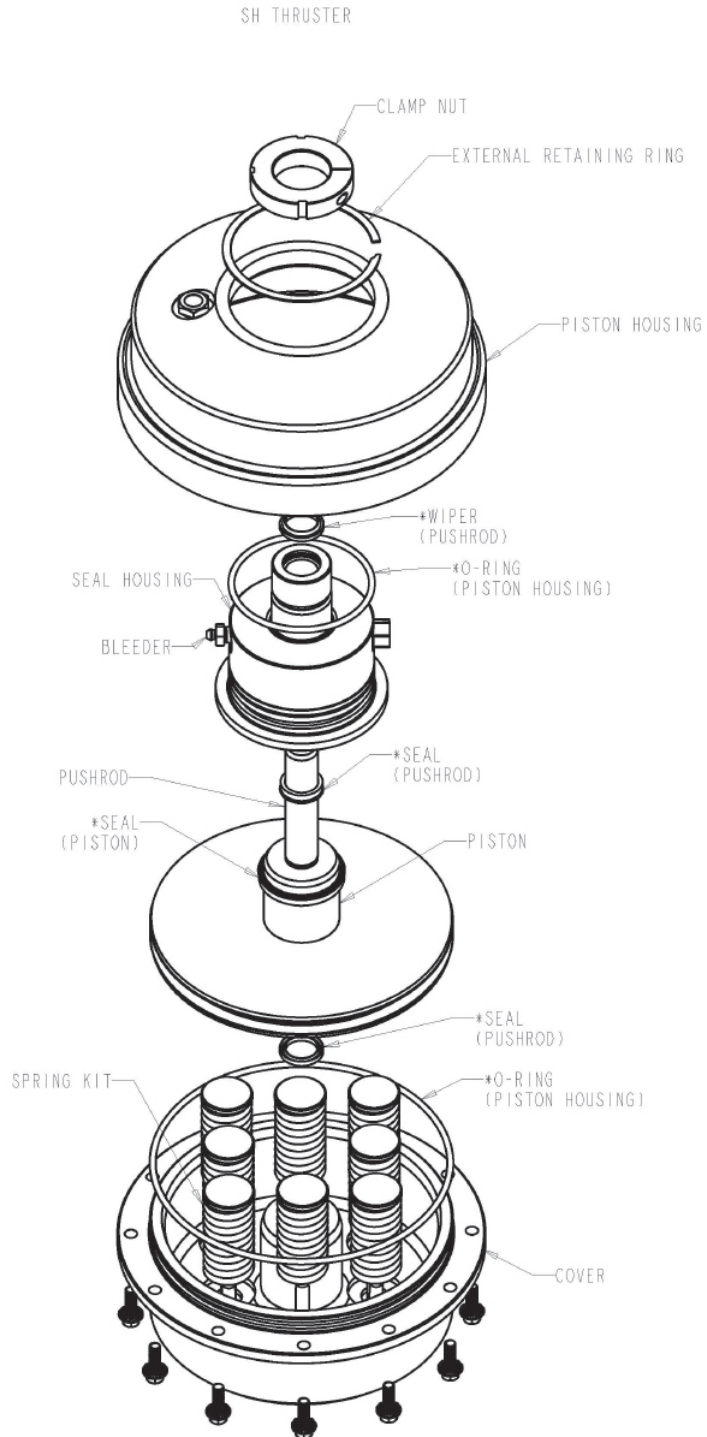


Maximum Pressure: 2250 psi

SPRING APPLIED / HYDRAULIC RELEASE T400SH THRUSTER A400 CALIPER			
THRUSTER Model	Retract Pressure	Operating Pressure	Braking Torque
T400SH-12-AA	1875 psi/ 130 Bar	2250 psi/ 155 Bar	697*(Disc Radius(in)-2.44)
T400SH-10-AA	1562 psi/ 108 Bar	1875 psi/ 129 Bar	581*(Disc Radius(in)-2.44)
T400SH-8-AA	1190 psi/ 82 Bar	1475 psi/ 101 Bar	465*(Disc Radius(in)-2.44)
T400SH-6-AA	893 psi/ 62 Bar	1100 psi/ 75 Bar	349*(Disc Radius(in)-2.44)



SH Thruster: Spring Applied / Hydraulically Released



* RECOMMENDED SPARE PART (SEALS & O-RINGS AVAILABLE AS A KIT)

The Hilliard Corporation
100 West 4th St.
Elmira, NY 14902-1504 USA
PH: 607-733-7121 FAX: 607-737-1108
www.hilliardbrakesystems.com
hilliard@hilliardcorp.com



YOUR LOCAL REPRESENTATIVE:



08/18 TDS-A400-T300 & 400 SH