

Spring Applied, Pneumatically Released Caliper Brakes



A400-T300 SA / A400-T400 SA Brake Calipers

The A400 is an arm style caliper brake designed to accept a large selection of Hilliard thrusters. These thrusters include spring applied hydraulic released, spring applied pneumatic released, hydraulic applied spring released, and pneumatic applied spring released. The 400 requires a minimum disc diameter of 24" and is offered in 2 sizes to accommodate a 1" and 1-1/2" thick disc. The design of the caliper allows the user to quickly convert between right and left handed designs eliminating the need for multiple part numbers.

The SA thruster is a failsafe thruster that is spring applied pneumatically released. The spring applied thrusters are offered in multiple sizes to meet the needs of our customers.

The T300 SA thruster produces a maximum braking force of 5580 pounds at the maximum operating pressure of 88 psi with a maximum pressure of 110 psi when used with the A400 caliper.

The T400 SA thruster produces a maximum braking force of 8366 pounds at the maximum operating pressure of 81 psi with a maximum pressure of 106 psi. (This thruster is only to be used on the A400 caliper)

A400 Caliper T300SA Thruster Specifications:

Total Brake Weight: 131 lbs. (59.4 kg)

Caliper Weight: 108 lbs. (49 kg)

Thruster Weight: 23 lbs. (10.4 kg)

Friction Pad Area: 60.2 SQ. IN.
[388.4 SQ Cm]

Brake Path: 4.625 in (117 mm)

A400 Caliper T400SA Thruster Specifications:

Total Brake Weight: 138 lbs. (62.6kg)

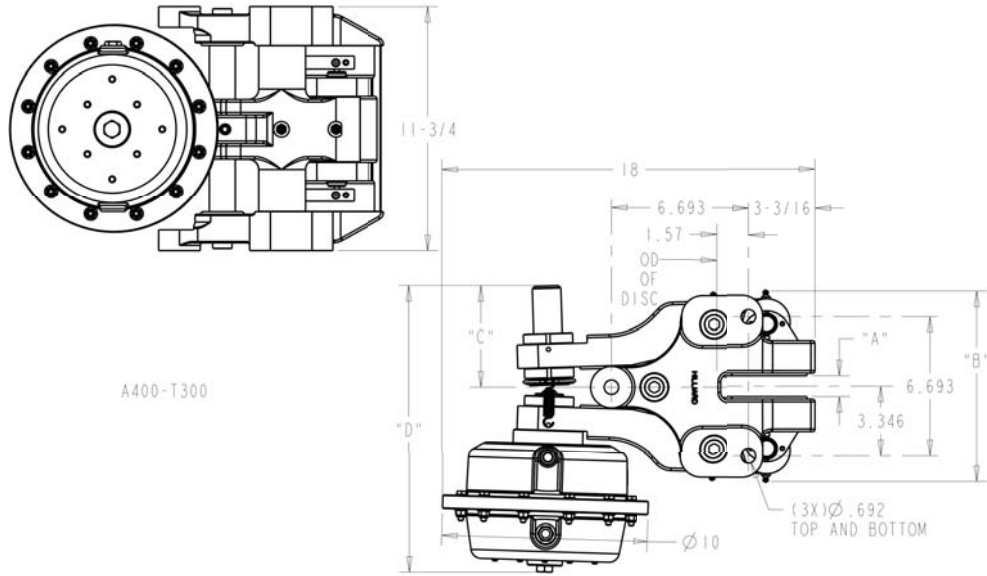
Caliper Weight: 108 lbs. (49 kg)

Thruster Weight: 30 lbs. (13.6 kg)

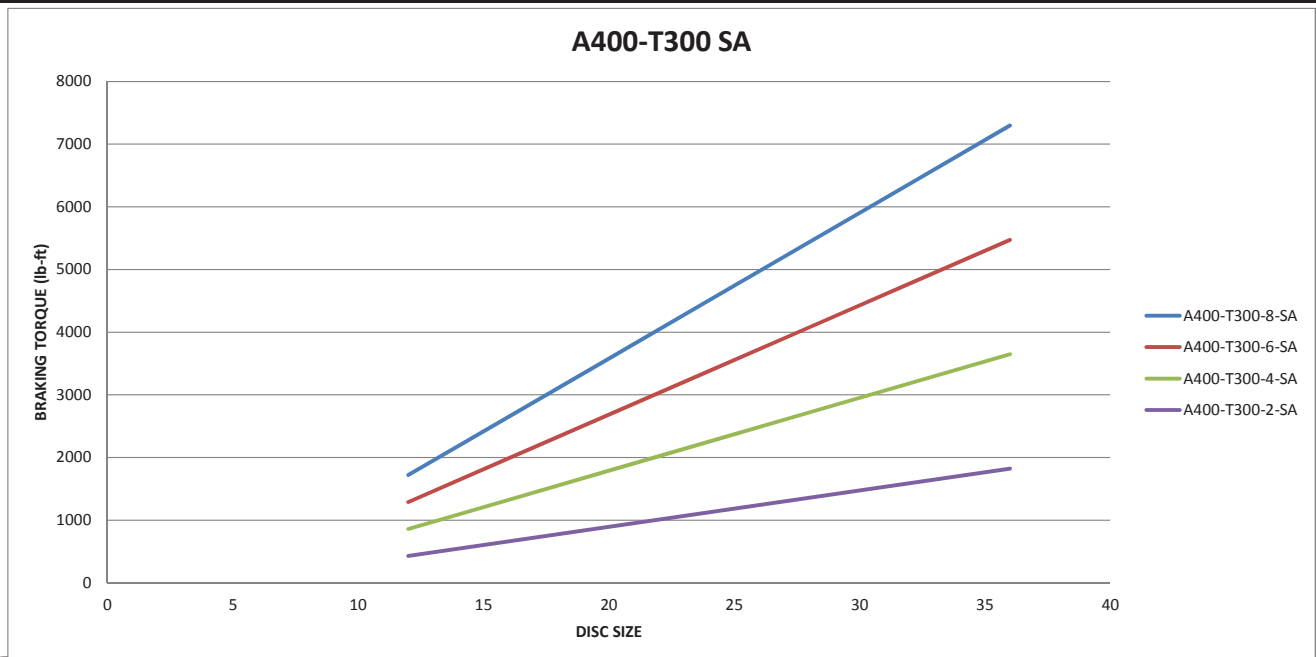
Friction Pad Area: 60.2 SQ. IN.
[388.4 SQ Cm]

Brake Path: 4.625 in (117 mm)

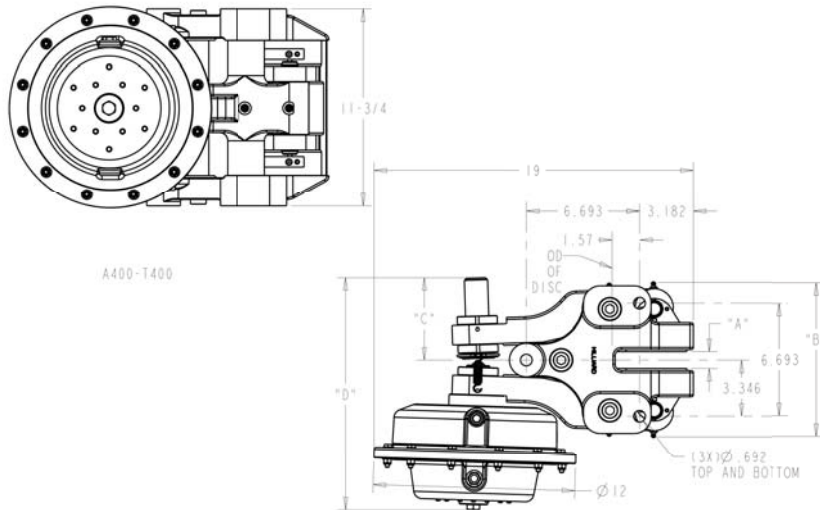
A400 CALIPER WITH T300 SA THRUSTER				
Caliper Model	"A" Disc Thickness	"B"	"C"	"D"
A400-25	1"	9- 5/32"	5"	13- 15/16"
A400-40	1- 1/2"	9- 13/16"	5"	14"



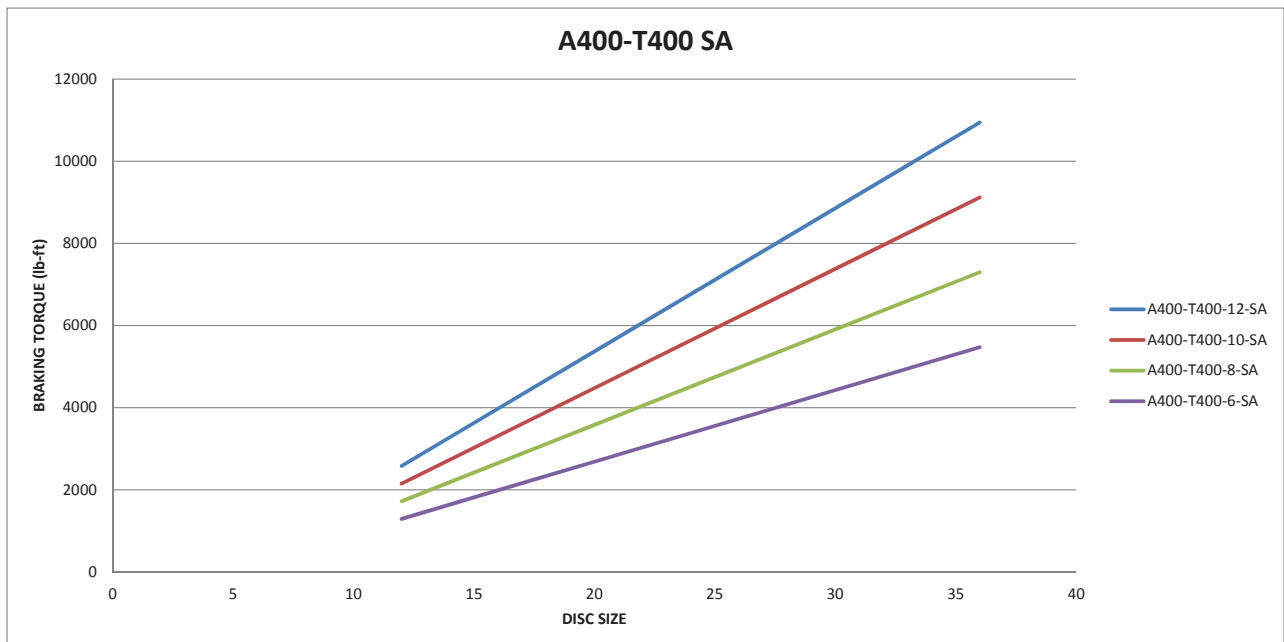
SPRING APPLIED / PNEUMATIC RELEASE T300SA THRUSTER A400 CALIPER			
THRUSTER Model	Retract Pressure	Maximum Pressure	Maximum Braking Force
T300SA-8-AA	88 psi/ 6.1 Bar	110 psi/ 7.6 Bar	5578 lbf
T300SA-6-AA	66 psi/ 4.6 Bar	83 psi/ 5.7 Bar	4183 lbf
T300SA-4-AA	44 psi/ 3.1 Bar	55 psi/ 3.8 Bar	2789 lbf
T300SA-2-AA	22 psi/ 1.5 Bar	28 psi/ 1.9 Bar	1394 lbf



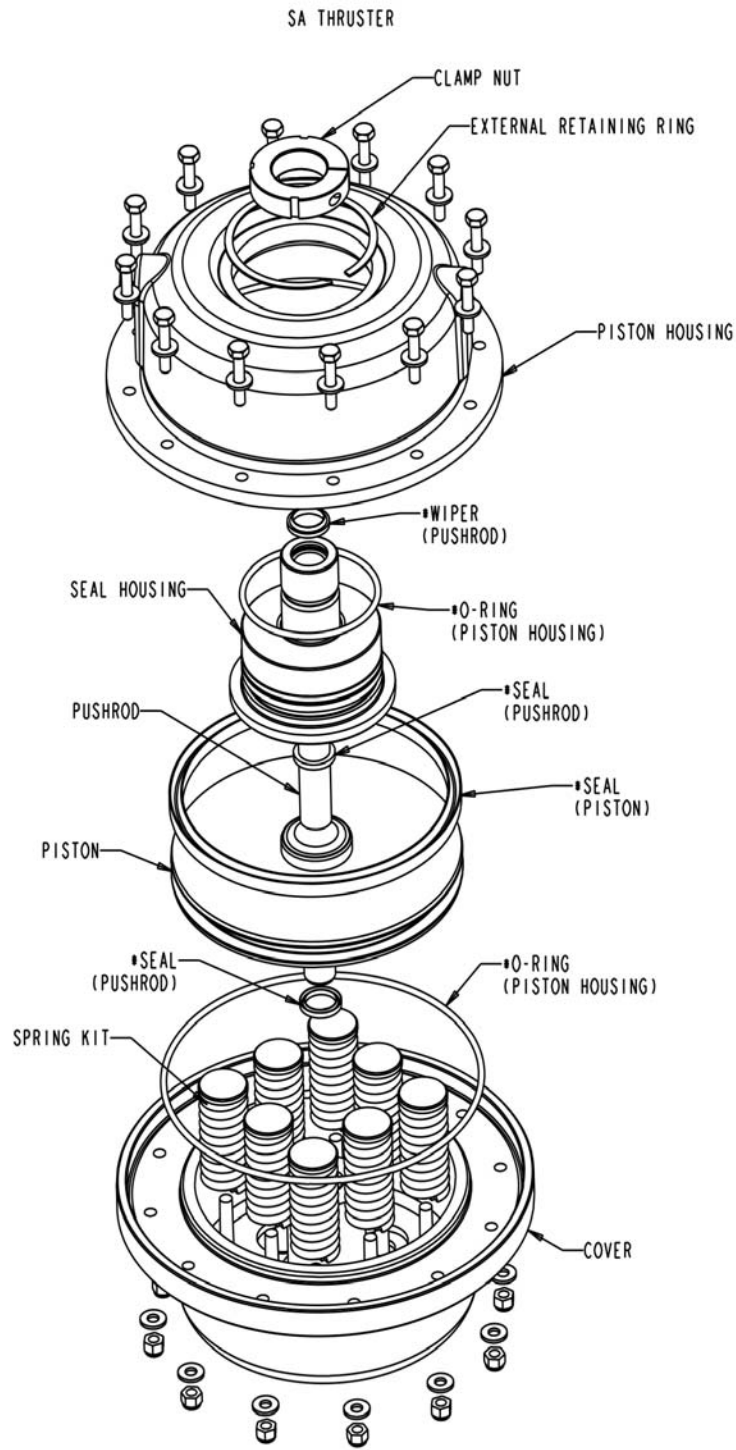
A400 CALIPER WITH T400 SA THRUSTER				
Caliper Model	"A" Disc Thickness	"B"	"C"	"D"
A400-25	1"	9- 5/32"	5"	13- 15/16"
A400-40	1- 1/2"	9- 13/16"	5"	14"



SPRING APPLIED / PNEUMATIC RELEASE T400SA THRUSTER A400 CALIPER			
THRUSTER Model	Retract Pressure	Maximum Pressure	Maximum Braking Force
T400SA-12-AA	85 psi/ 5.9 Bar	120 psi/ 8.3 Bar	8366 lbf
T400SA-10-AA	70 psi/ 4.8 Bar	88 psi/ 6.1 Bar	6972 lbf
T400SA-8-AA	47 psi/ 3.3 Bar	56 psi/ 4.1 Bar	5578 lbf
T400SA-6-AA	23 psi/ 1.6 Bar	29 psi/ 2.0 Bar	4183 lbf



SA Thruster: Spring Applied / Pneumatically Released



▪ RECOMMENDED SPARE PART (SEALS & O-RINGS AVAILABLE AS A KIT)

The Hilliard Corporation

100 West Fourth Street

Elmira, New York

14902-1504 USA

PH: 607.733.7121 | FAX: 607.737.1108

hilliardcorp.com | hilliard@hilliardcorp.com



YOUR LOCAL REPRESENTATIVE:



06/16 TDS-A400-T300 & 400 SA