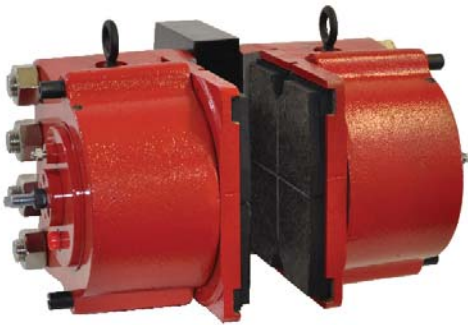




# Hilliard® Brake Model M500HS

Technical Data Sheet



## M500HS Brake Caliper

The Hilliard M500HS brake caliper is a hydraulic applied, spring retracted brake caliper for use in heavy duty industrial applications. The brake caliper is suitable for outdoor applications and has been designed for use in many different extreme environments.

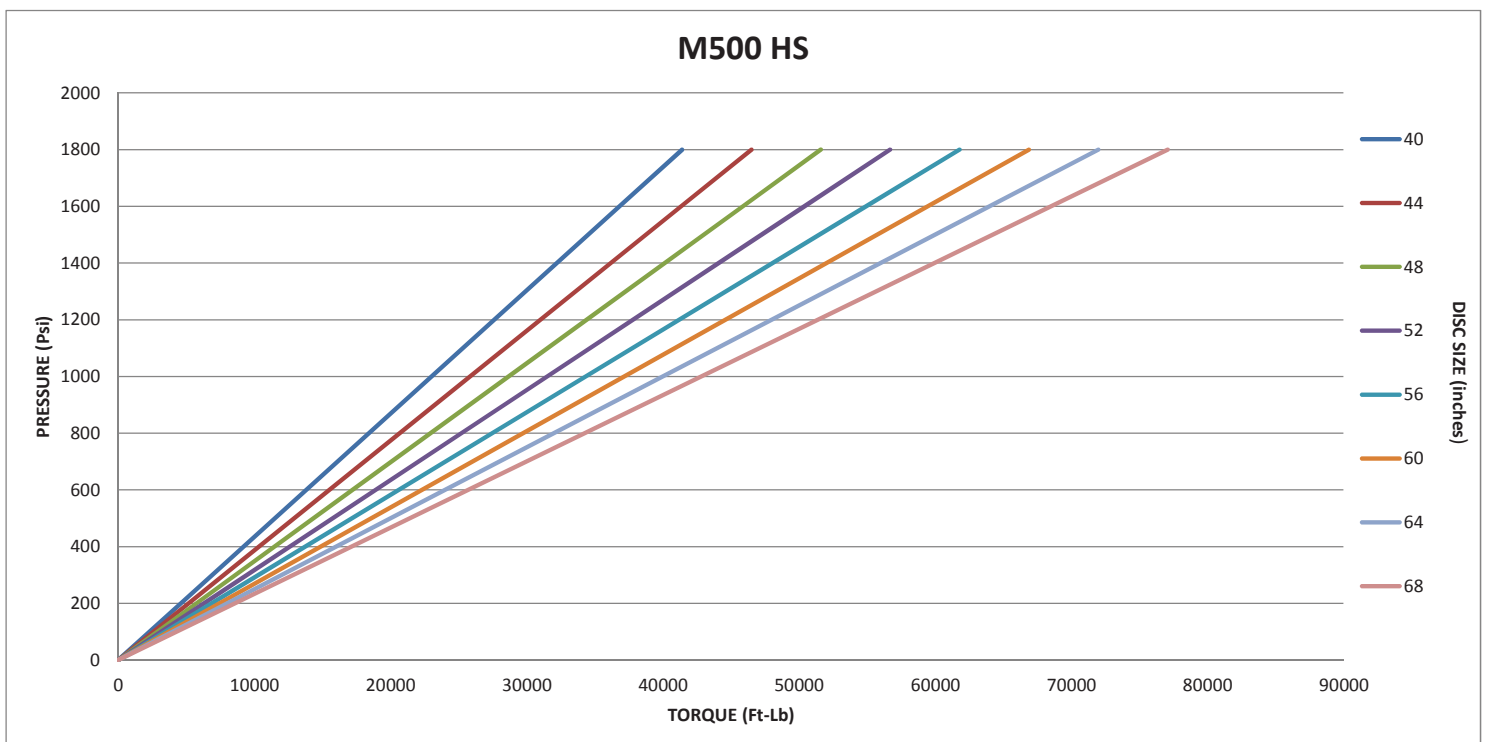
The M500HS brake caliper is capable of producing a maximum 27,000 lbf (120 kN) of braking force at 1600 psi (110 bar) and has been designed for use in static or dynamic applications. Static applications can have up to a 50% reduction in braking force.

Braking Force: lbf @ psi / ( kN @ bar)

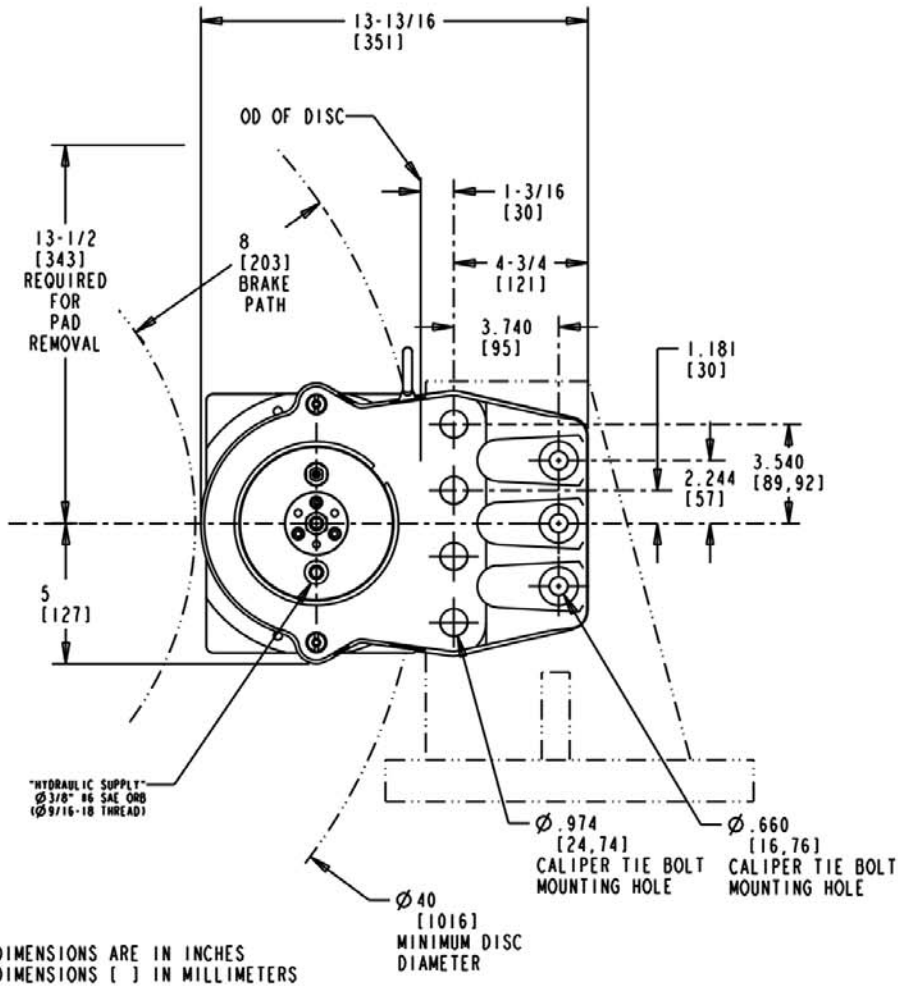
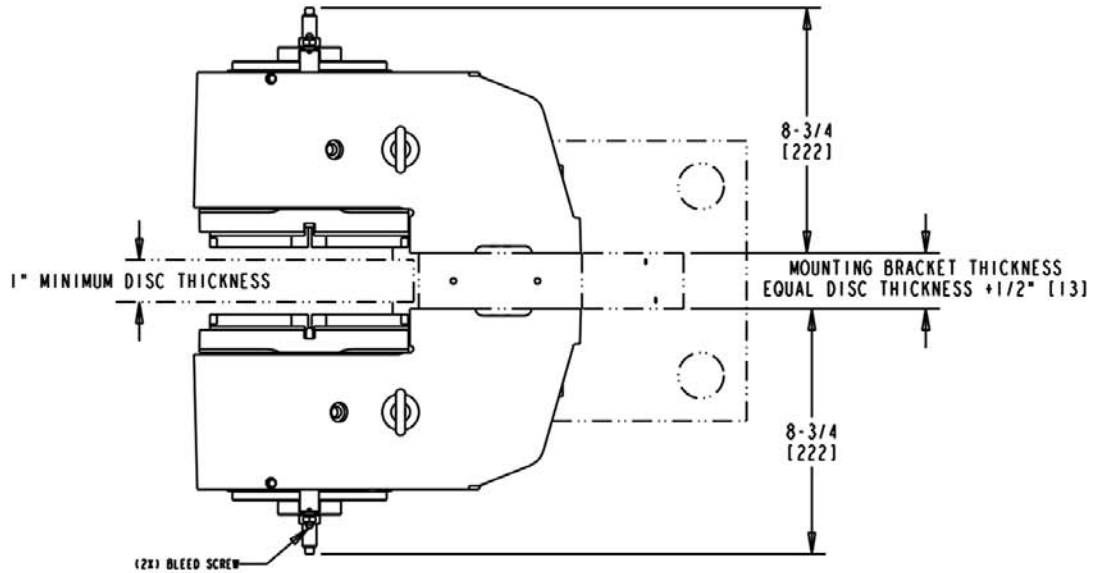
Minimum Disc Size: 40 in (1016 mm) • Minimum Disc Thickness 1 in (25 mm)

Braking Torque (lb-ft) =  $\frac{\text{Braking Force (lb)} \times (\text{Disc Radius (in)} - 3.74 \text{ in})}{12}$

12

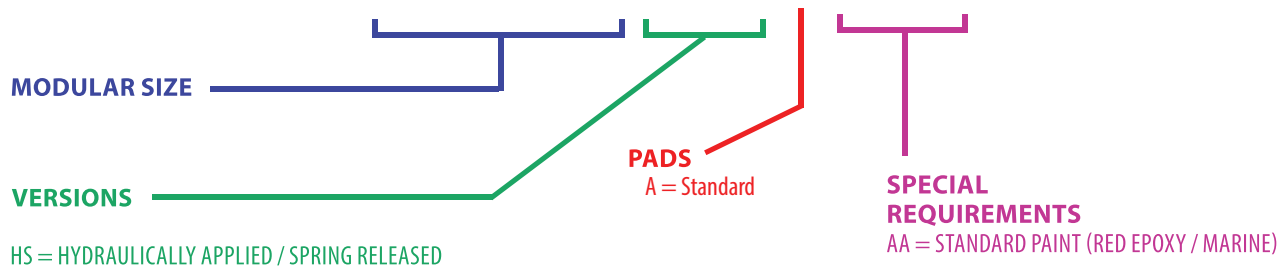


# Mounting Dimensions



## Modular Model Number

# M500HSAAA



Brake Weight: 250 lb (113.4 kg)

Brake Path: 8 in (203 mm)

Friction Pad Area: 53.6 in<sup>2</sup> [346 cm<sup>2</sup>] (Each Pad)

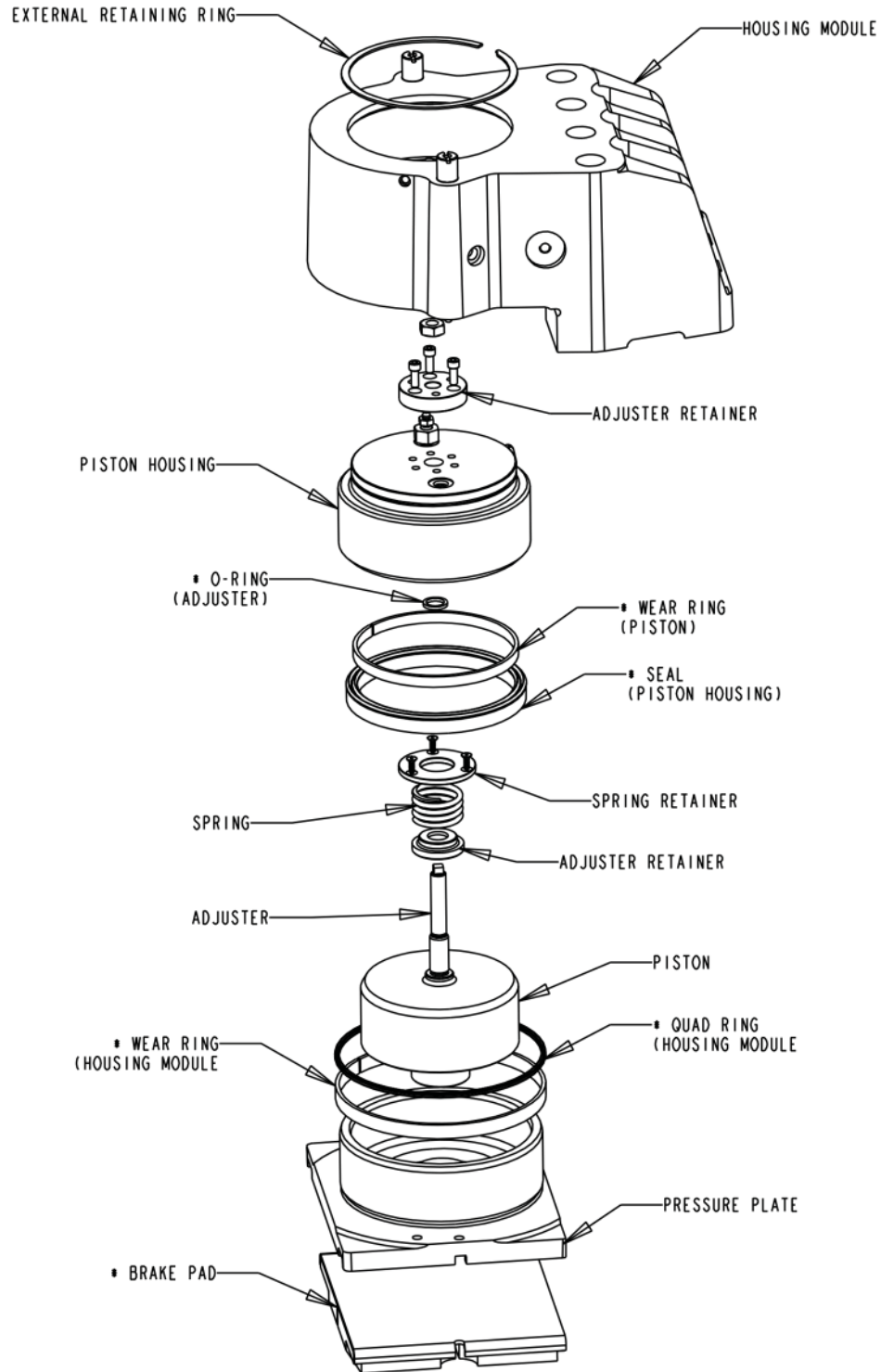
### Recommended Oil

Mineral Oil or Automatic Transmission Fluid (ATF) is recommended for use with the M500 HS brake caliper. Do not use automotive brake fluid as this will cause seal failure.

## Optional Accessories (Consult The Hilliard Corporation for part numbers)

- **Mounting Bracket**  
Hilliard supplies a standard line of mounting brackets as well as custom made brackets. Consult The Hilliard Corporation for any special accommodations required.
- **Dust Cover**  
The Hilliard mounting bracket comes standard with holes drilled in the top for a dust cover. The dust cover protects the brake pads and pressure plates from large debris that may impede brake pad travel.
- **Tie Bolt Kit**  
Hilliard can supply a tie bolt kit for the brake caliper. The tie bolt kit will have the correct strength characteristics as well as the correct length depending on disc thickness.

# M500HS Exploded View



ONE MODULE SHOWN

• RECOMMENDED SPARE PART (SEALS, O-RINGS AND WEAR RINGS AVAILABLE AS A KIT)

## The Hilliard Corporation

100 West Fourth Street

Elmira, New York

14902-1504 USA

PH: 607.733.7121 | FAX: 607.737.1108

hilliardcorp.com | hilliard@hilliardcorp.com



YOUR LOCAL REPRESENTATIVE:

