



# Hilliard® Brake Model 300H

Technical Data Sheet



## M300H Brake Caliper

The Hilliard M300 brake caliper is a hydraulic applied, spring retracted brake caliper for use in heavy duty industrial applications. The brake caliper is suitable for outdoor applications and has been designed for use in many different extreme environments.

The M300 brake caliper is capable of producing a maximum 10,600 LBF (47 kN) of braking force at 1600 PSI (110 Bar) and has been designed for use in static or dynamic applications. Static applications can have up to a 50% reduction in braking force.

# M300 H A AA

**MODULAR SIZE**

**VERSIONS**

H = HYDRAULICALLY APPLIED

**PADS**

A = Standard

**SPECIAL REQUIREMENTS**

AA = STANDARD PAINT (RED EPOXY / MARINE)

Braking Force: 10,600 lbf @ 1,600 psi / (47 Kn @ 1,600 psi)

Minimum Disc Size: 12 in (304.8 mm) • Minimum Disc Thickness 1/2 in (12.7 mm)

Braking Torque (lb-ft) =  $\frac{\text{Braking Force (lb)} \times (\text{Disc Radius (in)} - 1.8 \text{ in})}{12}$

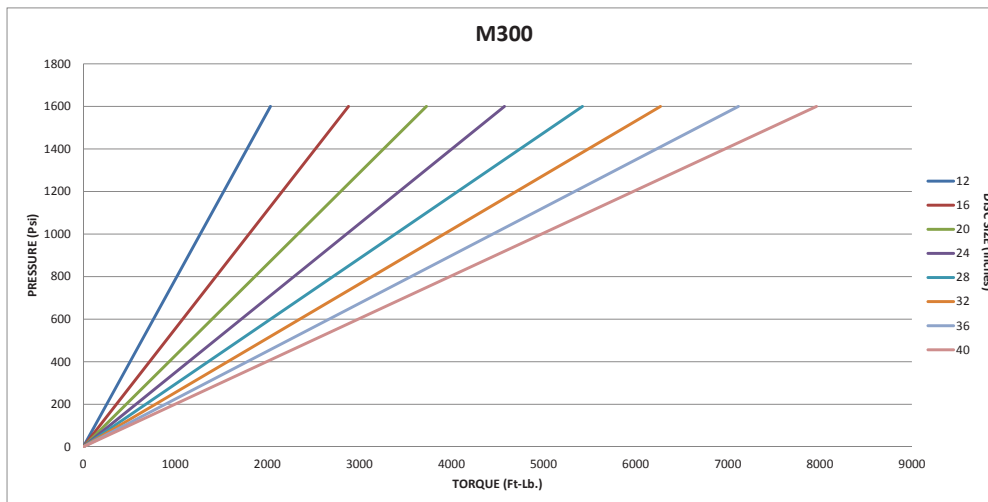
Brake Weight: 46 lb (20.8 kg)

Brake Path: 4.125 in (104 mm)

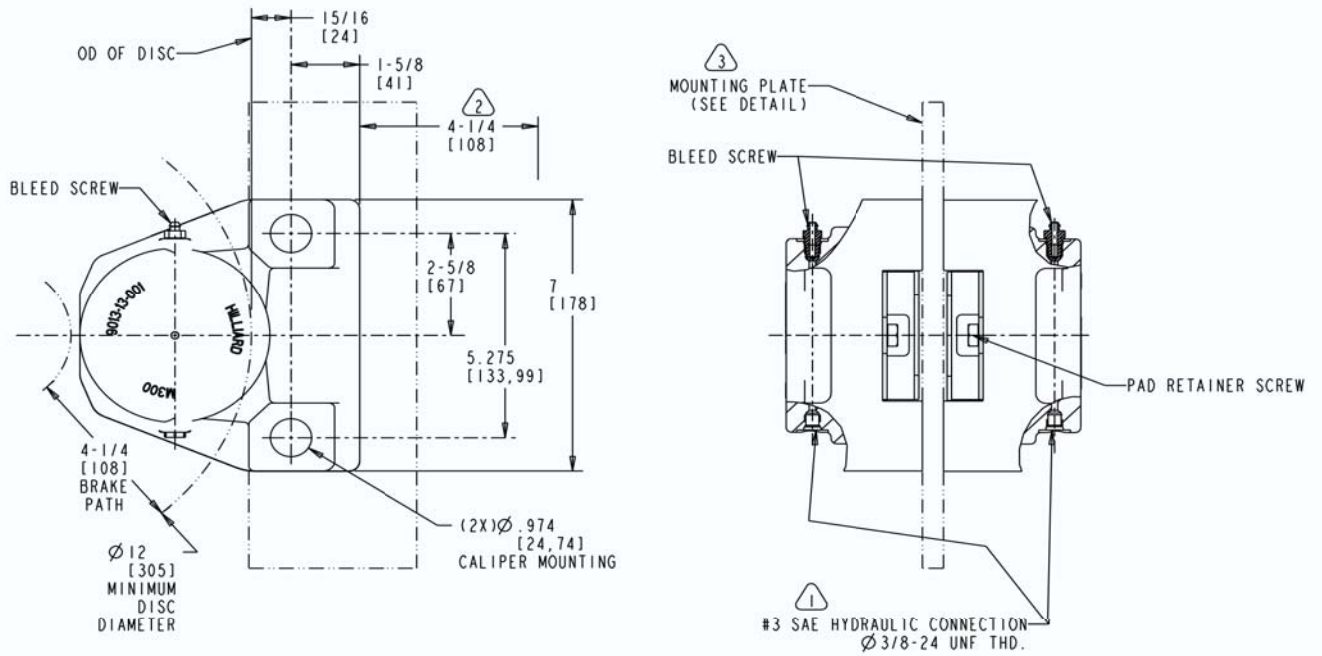
Friction Pad Area: 10.9 in<sup>2</sup> [70 cm<sup>2</sup>] (Each Pad)

### Recommended Oil

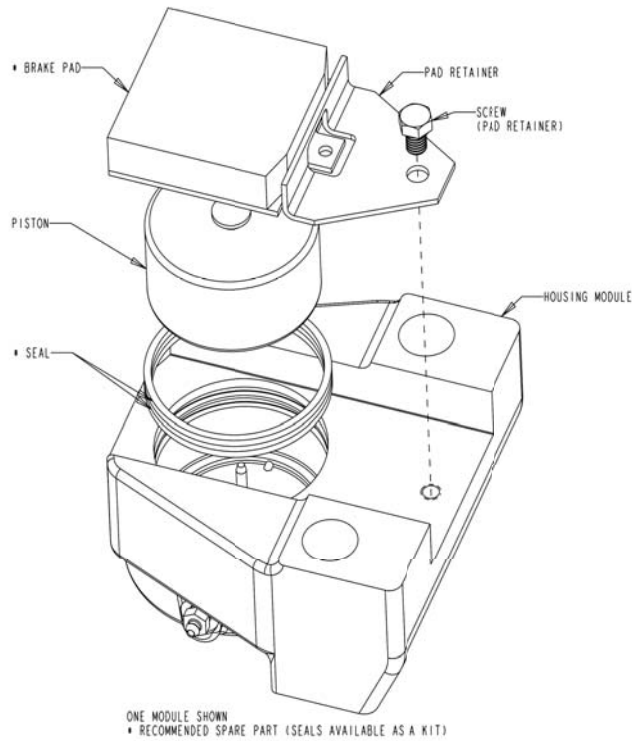
Mineral Oil or Automatic Transmission Fluid (ATF) is recommended for use with the M300H brake caliper. Do not use automotive brake fluid as this will cause seal failure.



# Mounting Dimensions



# M300H Exploded View



## The Hilliard Corporation

100 West Fourth Street  
 Elmira, New York  
 14902-1504 USA

PH: 607.733.7121 | FAX: 607.737.1108

hilliardcorp.com | hilliard@hilliardcorp.com



YOUR LOCAL REPRESENTATIVE:

