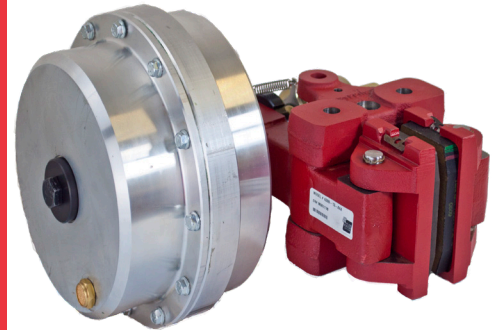
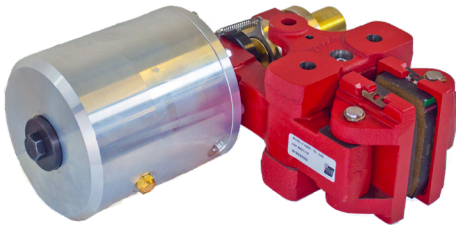




Spring Applied, Pneumatically Released Caliper Brakes



A300-T200 SA / A300-T300 SA Brake Calipers

The A300 is an arm style caliper brake designed to accept a large selection of Hilliard thrusters. These thrusters include spring applied hydraulic released, spring applied pneumatic released, hydraulic applied spring released, and pneumatic applied spring released. The A300 requires a minimum disc diameter of 12" and is offered in 4 sizes to accommodate a 1/2", 1", 1-3/16", and 1-1/2" thick disc. The design of the caliper allows the user to quickly convert between right and left handed designs eliminating the need for multiple part numbers.

The SA thruster is a failsafe thruster that is spring applied pneumatically released. The spring applied thrusters are offered in multiple sizes to meet the needs of our customers.

The T200 SA thruster produces a maximum braking force of 930 pounds at zero psi

The T300 SA thruster produces a maximum braking force of 3180 pounds at zero psi.

A300 Caliper T200SA Thruster Specifications:

Total Brake Weight: 34 lbs. (15.33 kg)

Caliper Weight: 24 lbs. (10.8 kg)

Thruster Weight: 10 lbs. (4.53 kg)

Air Volume: 15.2 in³

Friction Pad Area: 14.5 SQ. IN.

[100 SQ Cm]

A300 Caliper T300SA Thruster Specifications:

Total Brake Weight: 47 lbs. (21.2 kg)

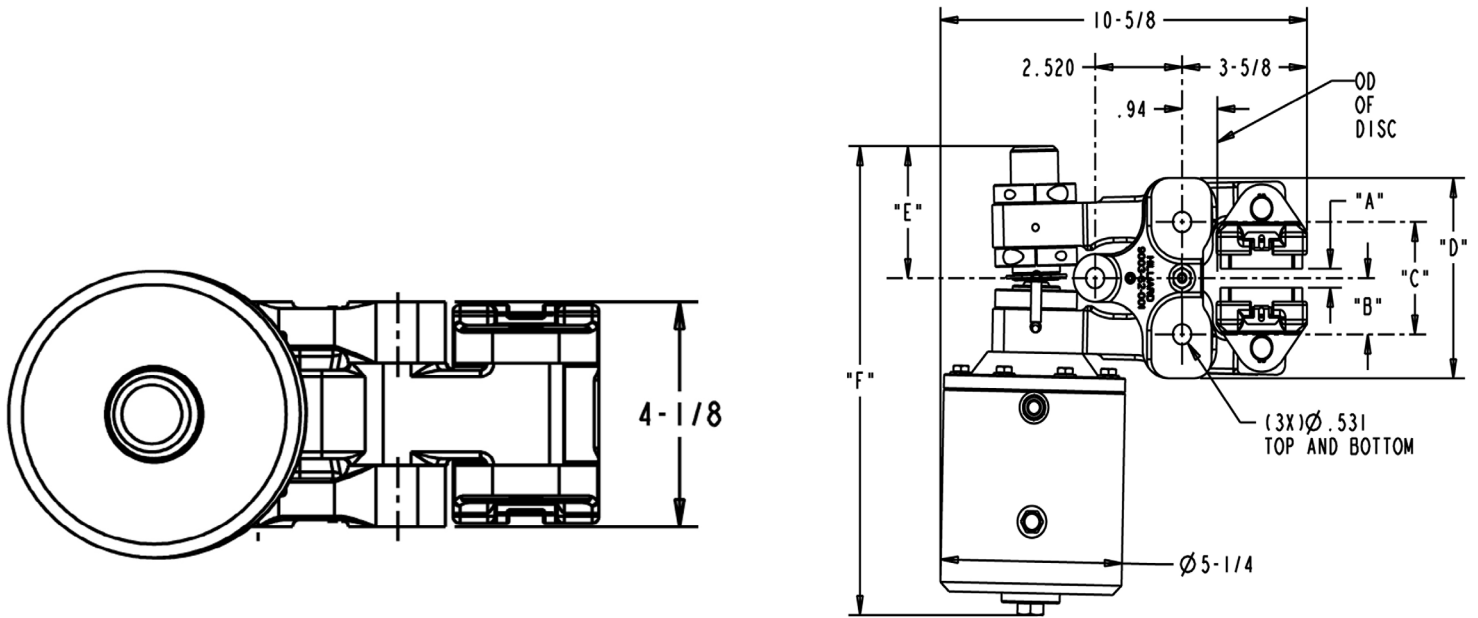
Caliper Weight: 24 lbs. (10.8 kg)

Thruster Weight: 23 lbs. (10.4 kg)

Air Volume: 45.5 in³

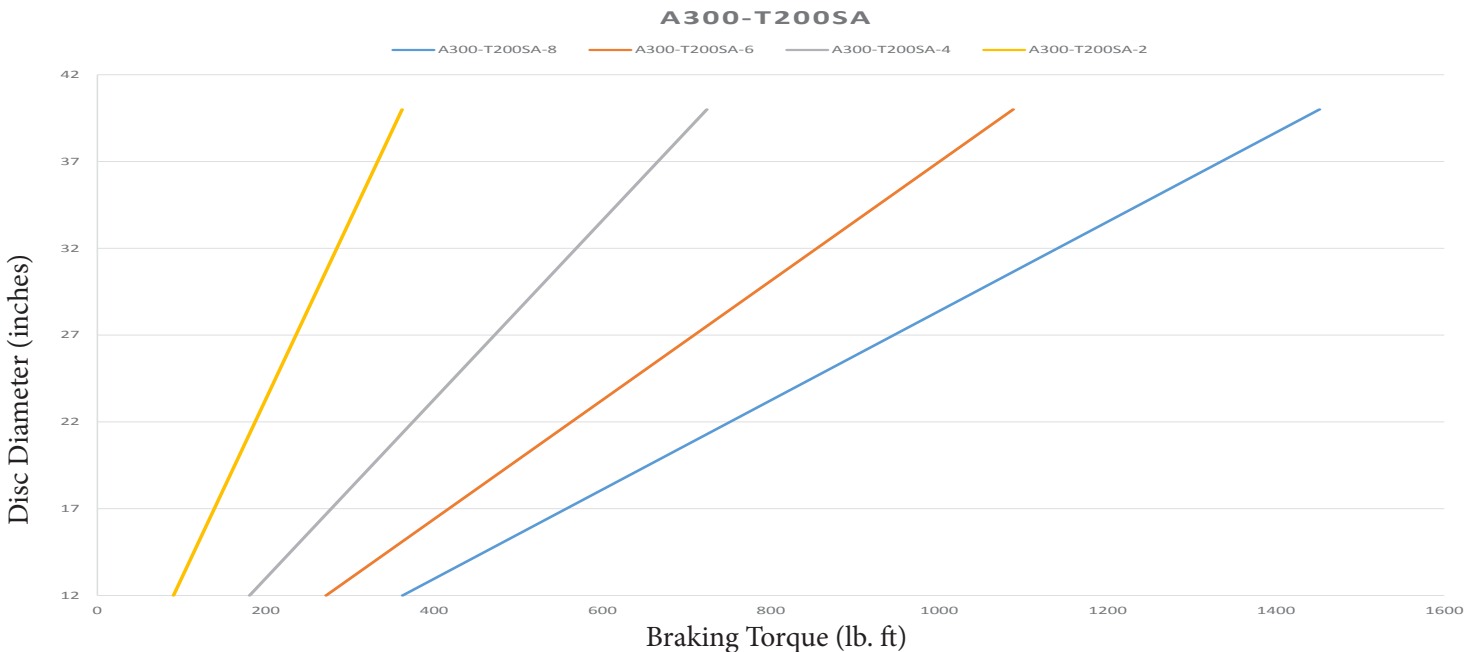
Friction Pad Area: 14.5 SQ. IN.

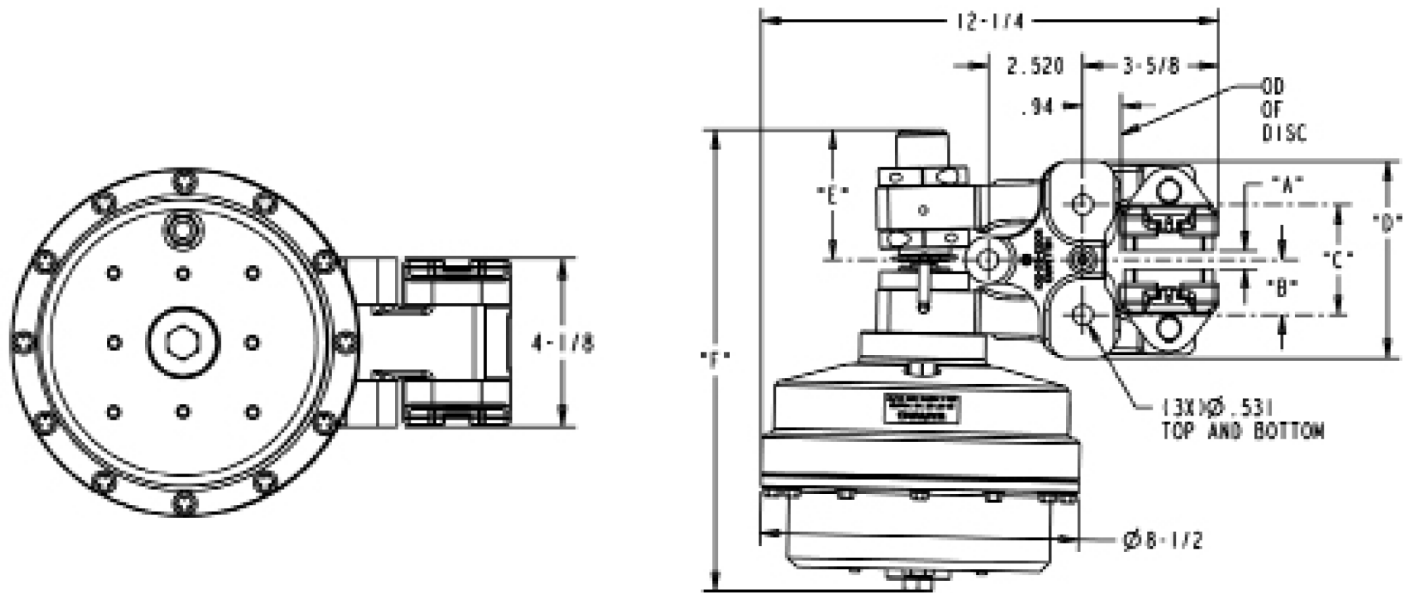
100 SQ Cm]



Max Pressure : 120 psi

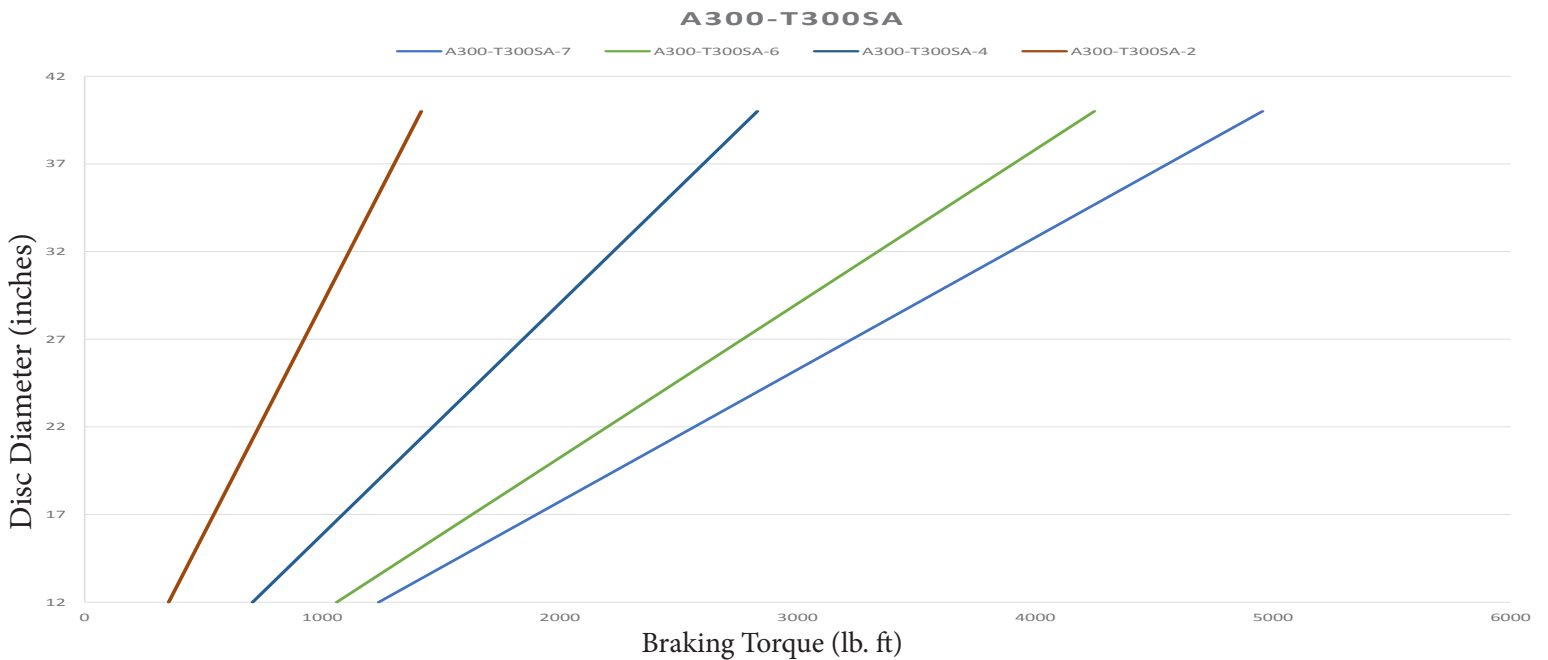
SPRING APPLIED / PNEUMATIC RELEASE T200SA THRUSTER			
THRUSTER Model	Retract Pressure	Operating Pressure	Braking Torque
T200-8-AA	95 psi / 6.6 Bar	120 psi / 8.3 Bar	78 *(Disc Radius(in)-1.34)
T200-6-AA	70 psi / 4.8 Bar	88 psi / 6.1 Bar	58*(Disc Radius(in)-1.34)
T200-4-AA	47 psi / 3.3 Bar	56 psi / 4.1 Bar	39*(Disc Radius(in)-1.34)
T200-2-AA	23 psi / 1.6 Bar	29 psi / 2.0 Bar	19*(Disc Radius(in)-1.34)



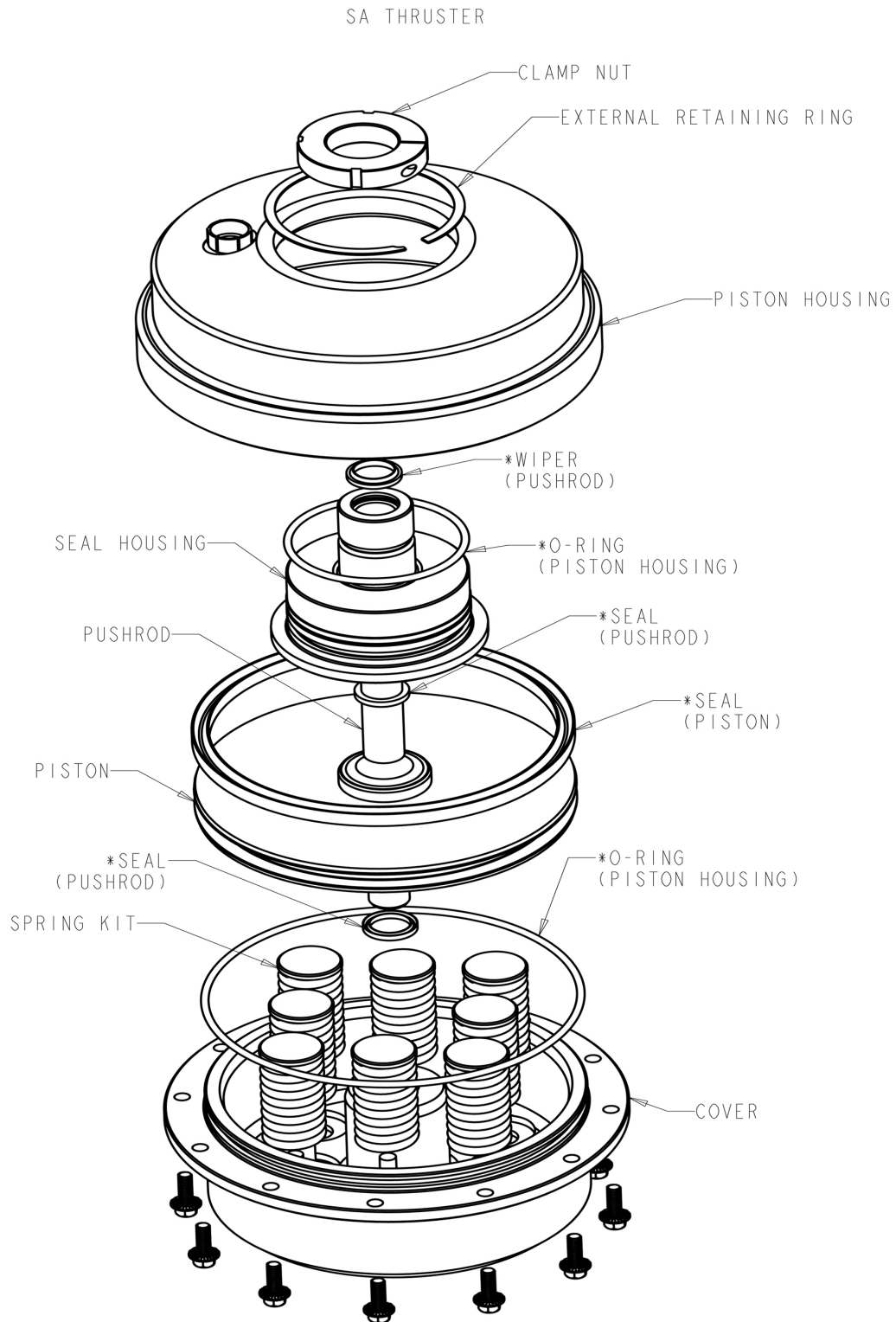


Max Pressure: 95 Psi

SPRING APPLIED / PNEUMATIC RELEASE T300SA THRUSTER A300 CALIPER			
THRUSTER Model	Retract Pressure	Operating Pressure	Braking Torque
T300SA-8-AA	75 psi/ 5.2 Bar	95 psi/ 6.6 Bar	266*(Disc Radius(in))-1.34
T300SA-6-AA	66 psi/ 4.6 Bar	83 psi/ 5.7 Bar	228*(Disc Radius(in))-1.34
T300SA-4-AA	44 psi/ 3.1 Bar	55 psi/ 3.8 Bar	152*(Disc Radius(in))-1.34
T300SA-2-AA	22 psi/ 1.5 Bar	28 psi/ 1.9 Bar	76*(Disc Radius(in))-1.34



SA Thruster: Spring Applied / Pneumatically Released



* RECOMMENDED SPARE PART (SEALS & O-RINGS AVAILABLE AS A KIT)

The Hilliard Corporation
 100 West 4th St.
 Elmira, NY 14902-1504 USA www.hilliardcorp.com
 PH: 607-733-7121 FAX: 607-737-1108
www.hilliardbrakesystems.com
hilliard@hilliardcorp.com



Hilliard

YOUR LOCAL REPRESENTATIVE:



08/18 TDS-A300-T200 & 300 SA